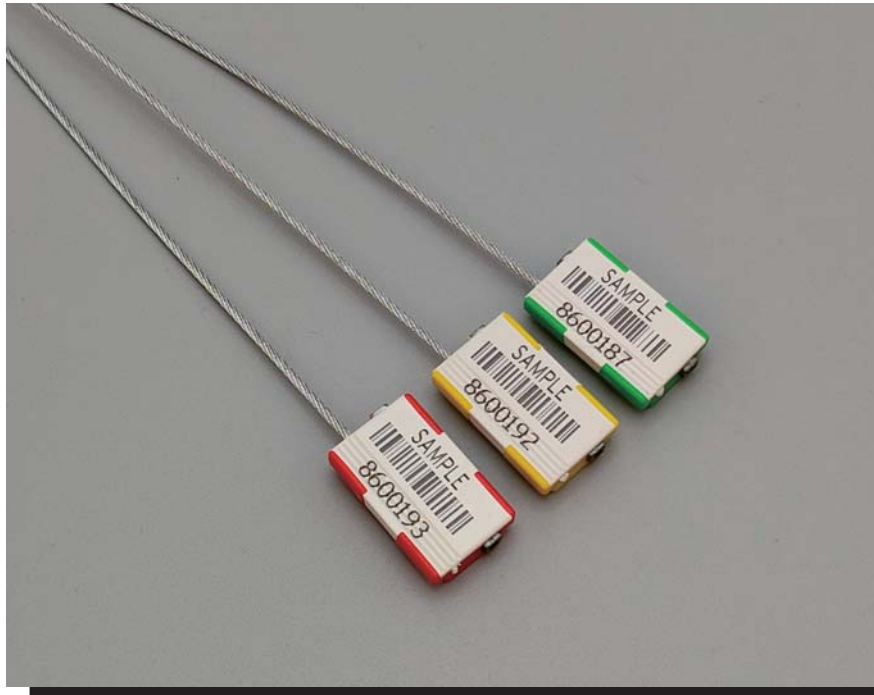


Double Colors Bar Code Pull-Tight Plastic Cable Seal

MODEL NUMBER: OS6218



Seal Classification

- [] Security Seal
- [] Tensile strength > 225kgs

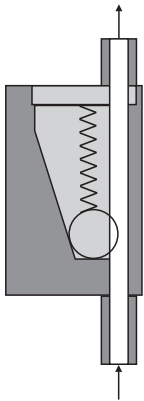
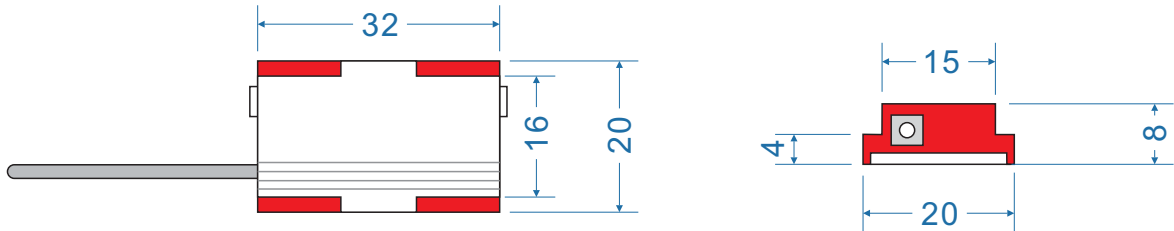
Material

- [] The lock housing is **ZINC** and covered with ABS in **Double Colors**
- [] The wire is NPC galvanized cable
- [] The standard wire is 1.8*300mm



Double Colors Bar Code Pull-Tight Plastic Cable Seal

MODEL NUMBER: OS6218



Lock structure

The lock housing is made with zinc.
The lock mechanism is wheel.

The wire tube: 2.0mm

The wire diameter: 1.8mm

Impossible to put the pin into the tube to push the wheel

The wire can not be twistd



The wire can scatter by self (NPC wire)

The lock body can be any dark color.

The number is printed on the grooves

The tube is just for 1.8mm wire



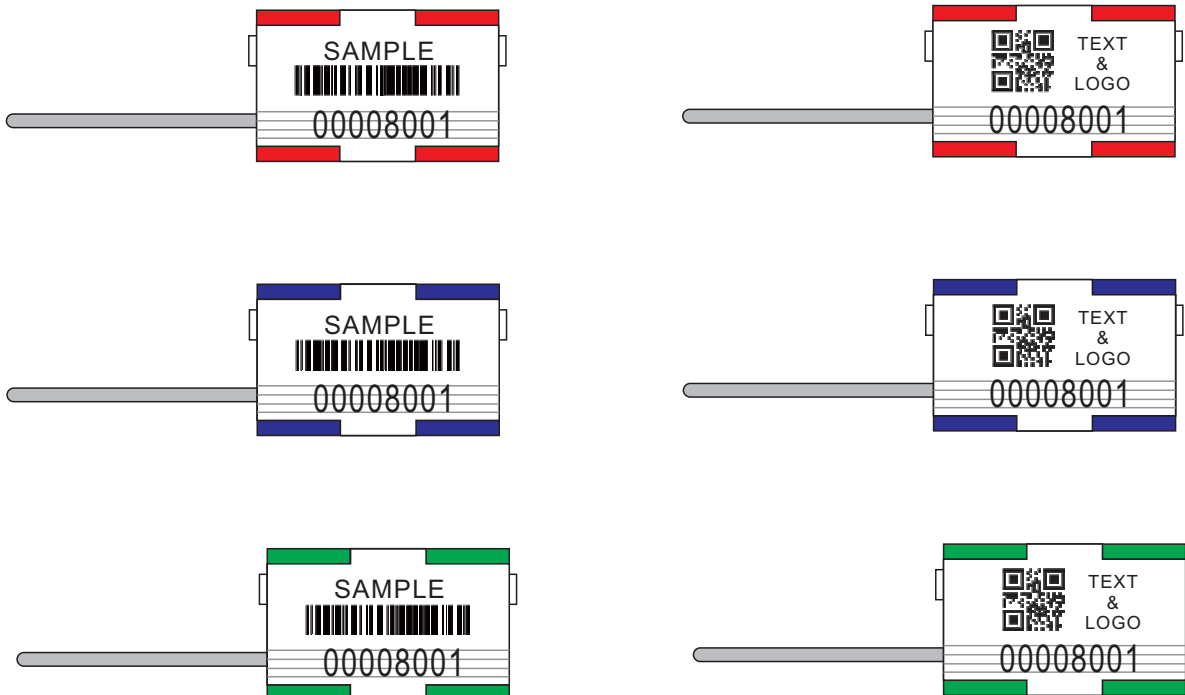
Double Colors Bar Code Pull-Tight Plastic Cable Seal

MODEL NUMBER: OS6218

Printing

- [] Laser engraving
- [] Company Logo/Name; Sequential number
- [] The readable bar code is available
- [] The number in printed on the grooves.

The seal body can be any colors.
we always print on the white tag by laser engraving.

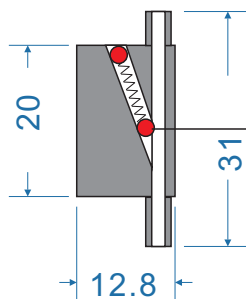


Double Colors Bar Code Pull-Tight Plastic Cable Seal

MODEL NUMBER: OS6218

Compare the structure

This is defective structure in the market



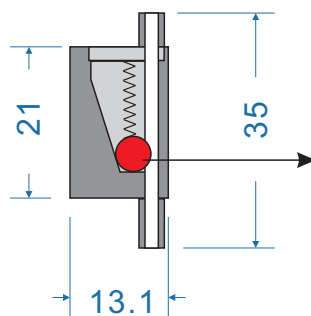
The lock mechanism is a **Ball**.

The defect is :

- 1)the tensile strength is less than 150kgs. The wire is not broken.
- 2)the wire can be twisted right and left. and then take the wire out.
- 3)the wire is hard to go through the hole.



The **PATENT** structure by **OURSEAL**



The lock mechanism is a **Disco**

The advantage is :

- 1)the tensile strength is more than 180kgs
- 2)the wire can go through well.
- 3)the wire can NOT be twisted.
- 4)The wire can NOT be took out.



Double Colors Bar Code Pull-Tight Plastic Cable Seal

MODEL NUMBER: OS6218



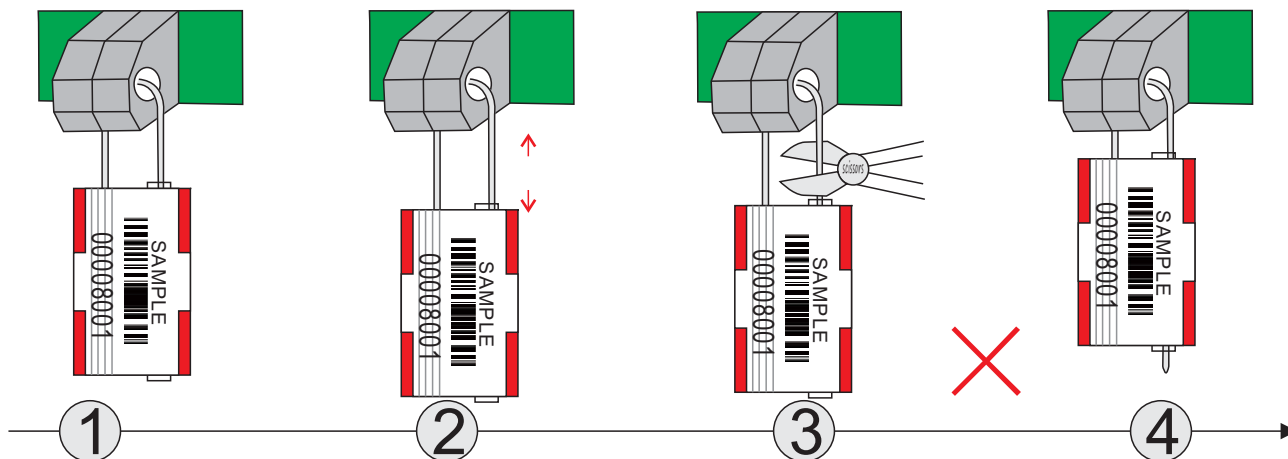
The galvanized wire is NPC structure.
The wire can scatter by self after cutting.



Double Colors Bar Code Pull-Tight Plastic Cable Seal

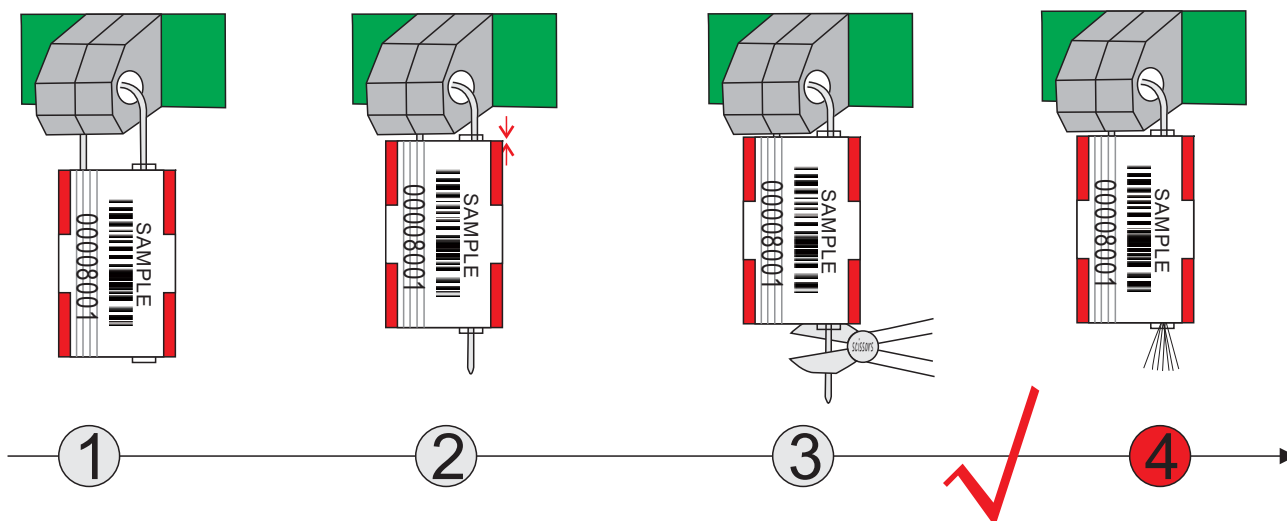
MODEL NUMBER: OS6218

The wire is NOT NPC wire or wrong sealing. There is re-seal risk .



- ① Ready to seal it.
- ② NOT pull tight the wire very near to the lock chamber.
- ③ Cut the wire.
- ④ **Re-seal it.**

The correct user guide



- ① Ready to seal it.
- ② Pull tight the wire very near to the lock chamber.
- ③ Cut the wire.
- ④ Because it is NPC wire, after cutting the wire, The wire scatter by itself.



Double Colors Bar Code Pull-Tight Plastic Cable Seal

MODEL NUMBER: OS6218

Package

- [] 100pcs a transparent bag
- [] 1000pcs per carton
- [] Net weight: 14kgs
- [] Gross weight: 15kgs
- [] Measure : 350*260*170mm

